

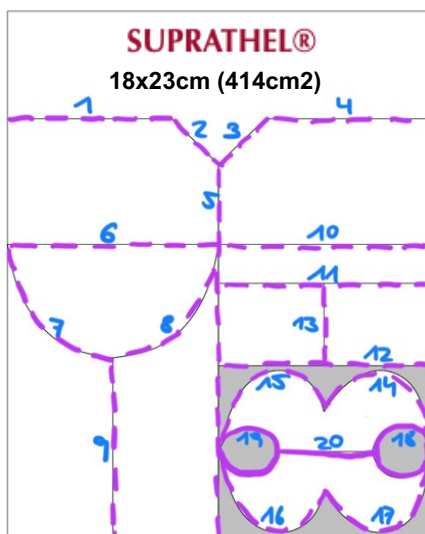
A Geometric Approach to Facial Burn Treatment: Applying the Suprathel® Face-Ear-Mask Explained Through an Educational Video

Gertraud Eylert^{1,2}, Sebastian Freudenschuss³, Max Mohn⁴, Mauro Vasella², Nicole Lindenblatt², Pietro Giovanoli², Bong-Sung Kim²

¹ Children Surgery, University Children's Hospital of Zurich, ² Plastic and Hand Surgery, University Hospital Zurich, ³ Bounty Studio, Vienna, Austria, www.bounty.studio, ⁴ Musketier Records, Klosterneuburg, Austria

INTRODUCTION:

The idea involves utilizing a “nesting technique” to optimize space and cutting patterns to create a face and ear mask for facial burn treatment.



© 2023 Gertraud Eylert, MD, MSc, PhD

94% of Product used

11 Geometric Figures



SUPRATHEL® is a synthetic temporary wound dressing for superficial, partial and small full-thickness burns¹⁻².

RESULT:

Educational Video: QR Code (3.38 min)



Simplifying Burn Treatment for the Face & Ears

METHOD:

An instructional audiovisual educational video was developed to demonstrate the cutting algorithm and preparation for applying the wound dressing in a sterile setting.



POTENTIAL:

- **Educational videos** are powerful tools for medical learning³⁻⁴.
- **Visual Demonstration:** Provides a step-by-step guide on tasks.
- **Repetitive Observation:** allows to revisit concepts, reducing the likelihood of errors.
- **Global Accessibility:** Easy sharing of expertise easily via the internet.
- **Importance of Engagement:** Encourages creative thinking⁵ & problem-solving in Plastic Surgery.

Literature: www.mybib.com/b/X9WLLX

